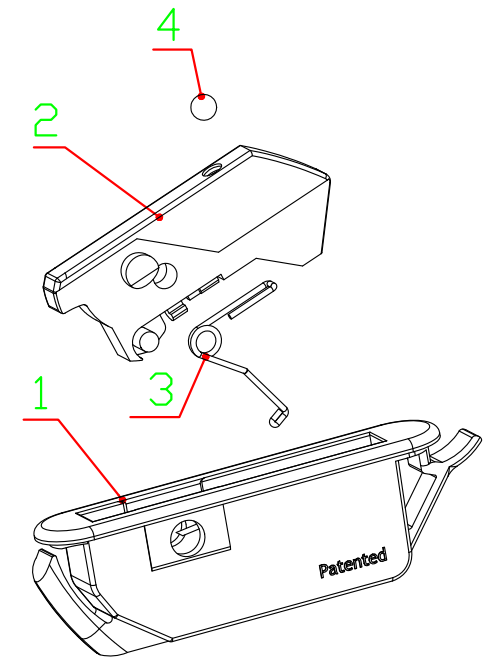
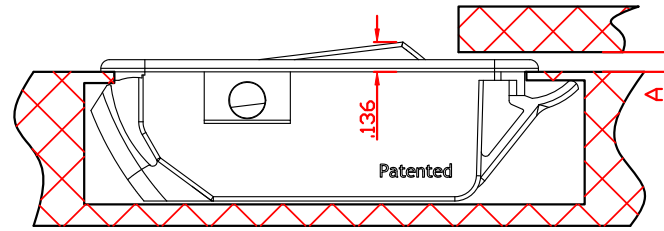
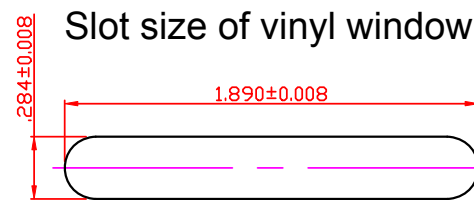
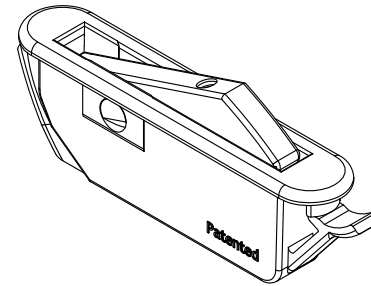
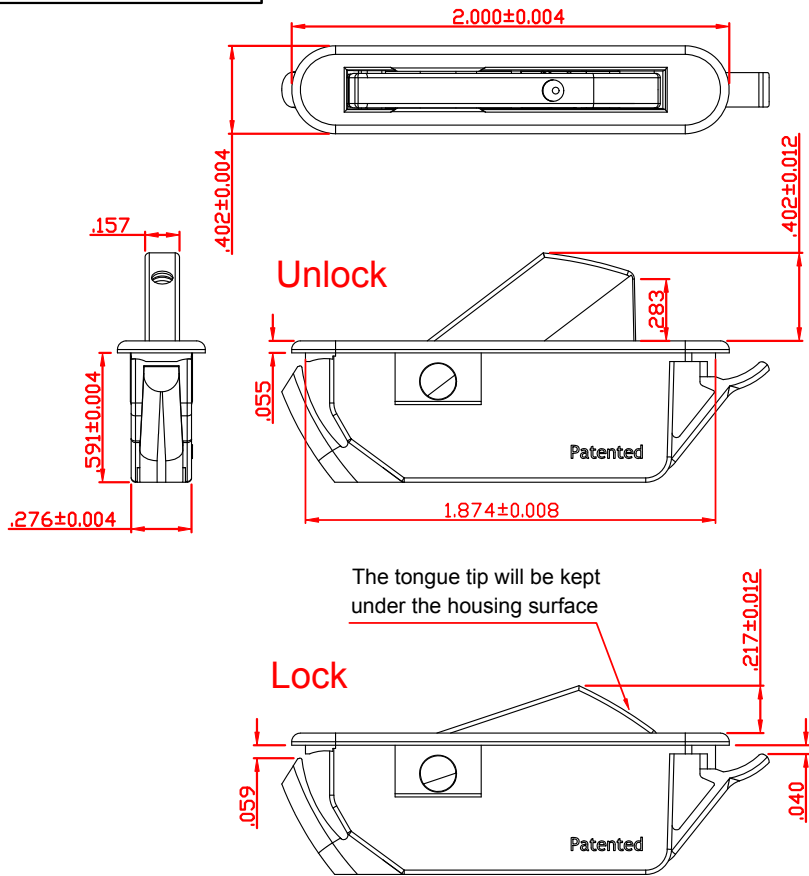


1761-00



The Information contained in this document or electronic media is property of Vision Industries Group, Inc. Any use or reproduction without expressed written consent is strictly prohibited.

Item	Dwg No	Part Name	Material	Finish	QTY
4	1761-03	Waining point	PA6		1
3	1761-04	Spring	SUS304		1
2	1761-02 (D2)	Tongue	PA6+30%GF		1
1	1761-01	Housing	PA6		1
2.0					
REV	MARK	CHG	DESCRIPTION	BY	DATE

	<p>1. Material .....</p> <p>2. Unspecified Wallt:.....in.</p> <p>3. Unspecified Radlit:.....in.</p> <p>4. Tolerances:</p> <p>.xx - ± ..... .06</p> <p>.xx - ± ..... .02</p> <p>.xxx - ± ..... .005</p> <p>.xxx - ± ..... .003</p> <p>Angles ± ..... 1/2°</p>
--	--------------------------------------------------------------------------------------------------------------------------------------------------------------------------------------------------------------------------------------------------------------

Vision

DESIGNER:

DRAWN BY: Elvis

APPROVED BY:

TITLE: 1761			DIE NO.
PART NAME: WOCD			
DRAWING NUMBER 1761-00		SCALE	DATE
APPROVED BY:		1:1	2014.3.5