

**NFRC U-FACTOR, SHGC, VT, &
CONDENSATION RESISTANCE
COMPUTER SIMULATION REPORT**

(Revised)

**Rendered to:
SPECIALTY WHOLESALE SUPPLY**

**SERIES/MODEL:
7100/7600 Trustgard Awning**

Report Number: E4348.24-116-45
Original Report Date: 07/01/15
Revised Report Date: 01/19/17



**NFRC U-FACTOR, SHGC, VT, & CONDENSATION RESISTANCE
COMPUTER SIMULATION REPORT**

(Revised)

Rendered to:
SPECIALTY WHOLESALE SUPPLY
101 Linus Allain Avenue
Gardner, Massachusetts 01440

Report Number: E4348.24-116-45
Simulation Date: 04/03/15
Original Report Date: 07/01/15
Revised Report Date: 01/19/17

Project Summary:

Architectural Testing, Inc., an Intertek Company (Intertek-ATI) was contracted to perform U-Factor, Solar Heat Gain Coefficient, Visible Transmittance, and Condensation Resistance* computer simulations in accordance with the National Fenestration Rating Council (NFRC). The products were evaluated in full compliance with NFRC requirements to the standards listed

**NFRC's Condensation Resistance rating is NOT equivalent to a Condensation Resistance Factor (CRF) determined in accordance with AAMA 1503.*

Standards:

ANSI/NFRC 100-2014: Procedure for Determining Fenestration Product U-Factors

ANSI/NFRC 200-2014: Procedure for Determining Fenestration Product Solar Heat Gain Coefficient and Visible Transmittance at Normal Incidence

NFRC 500-2014: Procedure for Determining Fenestration Product Condensation Resistance Values

Software:

Frame and Edge Modeling: THERM 7.4.4
Center-of-Glass Modeling: WINDOW 7.4.14
Total Product Calculations: WINDOW 7.4.14
Spectral Data Library: IGDB 52.0

Simulations Specimen Description:

Series/Model: 7100/7600 Trustgard Awning
Type: Projected, Awning
Frame Material: VY Vinyl
Sash Material: VY Vinyl
Standard Size: 1500mm x 600mm

Modeling Assumptions/Technical Interpretations:

- 1) To prevent air infiltration, tape was applied to all interior sash crack locations.
- 2) The nailing fin and j-channel were not modeled because they were deemed removable by the manufacturer.
- 3) The New Construction and Replacement frames were grouped in accordance with ANSI/NFRC 100-2014, Section 4.2.1.H.iv. The Replacement frame was simulated as the group leader.

Specialty Products Table:

The specialty products method allow the manufacturer to determine the overall product SHGC and VT for any glazing option. The center of glass SHGC and/or VT must be determined using WINDOW 7.4.14. The method gives overall product SHGC and VT indexed on center of glass properties. All values used in the calculations are truncated to six decimal place precision.

	No Dividers	Dividers < 1	Dividers > 1
SHGC0	0.006023	0.008103	0.010078
SHGC1	0.657032	0.595328	0.536744
VT0	0.000000	0.000000	0.000000
VT1	0.651009	0.587225	0.526667

$$SHGC = SHGC0 + SHGCc (SHGC1 - SHGC0)$$

$$VT = VT0 + VTc (VT1 - VT0)$$

Validation Matrix:

The following products are part of a validation matrix. Only one is required for validation testing.

<i>Product Line</i>	<i>Report Number</i>
7000/7500 Trustgard Casement	E4346.11-116-45
7100/7600 Trustgard Awning	E4348.09-116-45

Spacer Option Description

<i>Spacer Type</i>	<i>Sealant</i>		<i>Code</i>
	<i>Primary</i>	<i>Secondary</i>	
Quanex Super Spacer Standard	Butyl Rubber	EPDM	OF-S

Grid Option Description

<i>Grid Size</i>	<i>Grid Type</i>	<i>Grid Pattern</i>
5.5mm x 18mm	Aluminum Contour Grid (Painted)	NFRC Standard
0.220" x 0.875"	SDL Bar	NFRC Standard
0.111" x 0.875"	SDL Bar	NFRC Standard

Reinforcement Option Description

<i>Location</i>	<i>Material</i>
None	-

Gas Filling Technique Description

<i>Fill Type</i>	<i>Method</i>
92% Argon	Dual Probe with sensor

Edge-of-Glass Construction

<i>Interior Condition</i>	PVC glazing bead with flexible vinyl fin against glass
<i>Exterior Condition</i>	Silicone sealant between vinyl sash and glass

Weatherstripping

<i>Type</i>	<i>Quantity</i>	<i>Location</i>
Foam-filled gasket	2 rows	Sash Perimeter

Frame/Sash Materials Finish

<i>Interior</i>	Vinyl
<i>Exterior</i>	Vinyl

**NFRC 100/200/500 Summary Sheet
7100/7600 Trustgard Awning**

ID	Pane Thickness 1	Gap Width 1	Pane Thickness 2	Gap Width 2	Pane Thickness 3	Gap Width 3	Pane Thickness 4	Gap Fill	Low-e (Surface#)	Tint	Spacer	Grid Type
	U-Factor			Solar Heat Gain Coefficient (SHGC) Grids (None / <1 / >=1)				Visible Transmittance (VT) Grids (None / <1 / >=1)			Condensation Resistance	
1	No Foam: CLR / AIR / CLR (2MM/2MM) - 7/8" IG											
	0.090	0.688	0.090					AIR		CL	OF-S	N,G
	U-Factor 0.42			SHGC (N / <1) 0.53 / 0.48				VT (N / <1) 0.54 / 0.49			CR 45	
	No Foam: CLR / AIR / CLR (3MM/3MM) - 7/8" IG											
	0.117	0.625	0.117					AIR		CL	OF-S	N,G
	U-Factor 0.42			SHGC (N / <1) 0.52 / 0.47				VT (N / <1) 0.53 / 0.48			CR 45	
2	No Foam: 71/38 / AIR / CLR (2MM/2MM) - 7/8" IG											
	0.090	0.688	0.090					AIR	0.027(#2)	CL	OF-S	N,G
	U-Factor 0.30			SHGC (N / <1) 0.26 / 0.24				VT (N / <1) 0.46 / 0.42			CR 55	
	No Foam: 71/38 / AIR / CLR (3MM/3MM) - 7/8" IG											
	0.117	0.625	0.117					AIR	0.027(#2)	CL	OF-S	N,G
	U-Factor 0.30			SHGC (N / <1) 0.26 / 0.24				VT (N / <1) 0.46 / 0.42			CR 55	
3	No Foam: 71/38 / ARG92 / CLR (2MM/2MM) - 7/8" IG											
	0.090	0.688	0.090					ARG92	0.027(#2)	CL	OF-S	N,G
	U-Factor 0.27			SHGC (N / <1) 0.26 / 0.24				VT (N / <1) 0.46 / 0.42			CR 59	
	No Foam: 71/38 / ARG92 / CLR (3MM/3MM) - 7/8" IG											
	0.117	0.625	0.117					ARG92	0.027(#2)	CL	OF-S	N,G
	U-Factor 0.27			SHGC (N / <1) 0.26 / 0.23				VT (N / <1) 0.46 / 0.42			CR 59	
4	No Foam: 71/38 / ARG92 / 71/38 (2MM/2MM) - 7/8" IG											
	0.090	0.688	0.090					ARG92	0.027(#2) / 0.027(#3)	CL	OF-S	N,G
	U-Factor 0.27			SHGC (N / <1) 0.24 / 0.22				VT (N / <1) 0.40 / 0.36			CR 60	
	No Foam: 71/38 / ARG92 / 71/38 (3MM/3MM) - 7/8" IG											
	0.117	0.625	0.117					ARG92	0.027(#2) / 0.027(#3)	CL	OF-S	N,G
	U-Factor 0.27			SHGC (N / <1) 0.24 / 0.22				VT (N / <1) 0.40 / 0.36			CR 60	
5	No Foam: 71/38 / AIR / CLR (5MM/5MM) - 7/8" IG											
	0.182	0.500	0.182					AIR	0.027(#2)	CL	OF-S	N,G
	U-Factor 0.30			SHGC (N / <1) 0.26 / 0.23				VT (N / <1) 0.45 / 0.41			CR 56	
6	No Foam: 71/38 / ARG92 / CLR (5MM/5MM) - 7/8" IG											
	0.182	0.500	0.182					ARG92	0.027(#2)	CL	OF-S	N,G
	U-Factor 0.27			SHGC (N / <1) 0.25 / 0.23				VT (N / <1) 0.45 / 0.41			CR 60	

**NFRC 100/200/500 Summary Sheet
7100/7600 Trustgard Awning**

ID	Pane Thickness 1	Gap Width 1	Pane Thickness 2	Gap Width 2	Pane Thickness 3	Gap Width 3	Pane Thickness 4	Gap Fill	Low-e (Surface#)	Tint	Spacer	Grid Type
	U-Factor			Solar Heat Gain Coefficient (SHGC) Grids (None / <1 / >=1)				Visible Transmittance (VT) Grids (None / <1 / >=1)			Condensation Resistance	
7	No Foam: 71/38 / ARG92 / 71/38 (5MM/5MM) - 7/8" IG											
	0.182	0.500	0.182					ARG92	0.027(#2) / 0.027(#3)	CL	OF-S	N,G
	U-Factor 0.27			SHGC (N / <1) 0.24 / 0.22				VT (N / <1) 0.39 / 0.35			CR 62	
8	No Foam: 71/38 / ARG92 / IS-20 (2MM/2MM) - 7/8" IG											
	0.090	0.688	0.090					ARG92	0.027(#2) / 0.198(#4)	CL	OF-S	N,G
	U-Factor 0.24			SHGC (N / <1) 0.25 / 0.23				VT (N / <1) 0.45 / 0.41			CR 48	
9	No Foam: 71/38 / ARG92 / IS-20 (2MM/2MM) - 1" IG											
	0.090	0.787	0.090					ARG92	0.027(#2) / 0.198(#4)	CL	OF-S	N,G
	U-Factor 0.24			SHGC (N / <1) 0.25 / 0.23				VT (N / <1) 0.45 / 0.41			CR 48	
	No Foam: 71/38 / ARG92 / IS-20 (3MM/3MM) - 1" IG											
	0.117	0.750	0.117					ARG92	0.027(#2) / 0.198(#4)	CL	OF-S	N,G
	U-Factor 0.24			SHGC (N / <1) 0.25 / 0.23				VT (N / <1) 0.45 / 0.40			CR 48	
10	No Foam: 71/38 / ARG92 / CLR / ARG92 / 71/38 (3MM/2MM/3MM) - 1" IG											
	0.117	0.250	0.090	0.438	0.117			ARG92	0.027(#2) / 0.027(#5)	CL	OF-S	N
	U-Factor 0.21			SHGC (N) 0.22				VT (N) 0.36			CR 71	
11	No Foam: 71/38 / ARG92 / CLR / ARG92 / 71/38 (3MM/2MM/3MM) - 1" IG											
	0.117	0.250	0.090	0.438	0.117			ARG92	0.027(#2) / 0.027(#5)	CL	OF-S	G
	U-Factor 0.21			SHGC (<1) 0.20				VT (<1) 0.33			CR 71	
12	Foam: CLR / AIR / CLR (2MM/2MM) - 7/8" IG											
	0.090	0.688	0.090					AIR		CL	OF-S	N,G
	U-Factor 0.41			SHGC (N / <1) 0.53 / 0.48				VT (N / <1) 0.54 / 0.49			CR 46	
	Foam: CLR / AIR / CLR (3MM/3MM) - 7/8" IG											
	0.117	0.625	0.117					AIR		CL	OF-S	N,G
	U-Factor 0.41			SHGC (N / <1) 0.52 / 0.47				VT (N / <1) 0.53 / 0.48			CR 46	
13	Foam: 71/38 / AIR / CLR (2MM/2MM) - 7/8" IG											
	0.090	0.688	0.090					AIR	0.027(#2)	CL	OF-S	N,G
	U-Factor 0.29			SHGC (N / <1) 0.26 / 0.24				VT (N / <1) 0.46 / 0.42			CR 56	
	Foam: 71/38 / AIR / CLR (3MM/3MM) - 7/8" IG											
	0.117	0.625	0.117					AIR	0.027(#2)	CL	OF-S	N,G
	U-Factor 0.29			SHGC (N / <1) 0.26 / 0.24				VT (N / <1) 0.46 / 0.42			CR 56	

**NFRC 100/200/500 Summary Sheet
7100/7600 Trustgard Awning**

ID	Pane Thickness 1	Gap Width 1	Pane Thickness 2	Gap Width 2	Pane Thickness 3	Gap Width 3	Pane Thickness 4	Gap Fill	Low-e (Surface#)	Tint	Spacer	Grid Type
	U-Factor			Solar Heat Gain Coefficient (SHGC) Grids (None / <1 / >=1)				Visible Transmittance (VT) Grids (None / <1 / >=1)			Condensation Resistance	
14	Foam: 71/38 / ARG92 / CLR (2MM/2MM) - 7/8" IG											
	0.090	0.688	0.090					ARG92	0.027(#2)	CL	OF-S	N,G
	U-Factor 0.26			SHGC (N / <1) 0.26 / 0.24				VT (N / <1) 0.46 / 0.42			CR 60	
	Foam: 71/38 / ARG92 / CLR (3MM/3MM) - 7/8" IG											
	0.117	0.625	0.117					ARG92	0.027(#2)	CL	OF-S	N,G
	U-Factor 0.26			SHGC (N / <1) 0.26 / 0.23				VT (N / <1) 0.46 / 0.42			CR 60	
15	Foam: 71/38 / ARG92 / 71/38 (2MM/2MM) - 7/8" IG											
	0.090	0.688	0.090					ARG92	0.027(#2) / 0.027(#3)	CL	OF-S	N,G
	U-Factor 0.25			SHGC (N / <1) 0.24 / 0.22				VT (N / <1) 0.40 / 0.36			CR 61	
	Foam: 71/38 / ARG92 / 71/38 (3MM/3MM) - 7/8" IG											
	0.117	0.625	0.117					ARG92	0.027(#2) / 0.027(#3)	CL	OF-S	N,G
	U-Factor 0.25			SHGC (N / <1) 0.24 / 0.22				VT (N / <1) 0.40 / 0.36			CR 61	
16	Foam: 71/38 / AIR / CLR (5MM/5MM) - 7/8" IG											
	0.182	0.500	0.182					AIR	0.027(#2)	CL	OF-S	N,G
	U-Factor 0.28			SHGC (N / <1) 0.26 / 0.23				VT (N / <1) 0.45 / 0.41			CR 57	
17	Foam: 71/38 / ARG92 / CLR (5MM/5MM) - 7/8" IG											
	0.182	0.500	0.182					ARG92	0.027(#2)	CL	OF-S	N,G
	U-Factor 0.25			SHGC (N / <1) 0.25 / 0.23				VT (N / <1) 0.45 / 0.41			CR 61	
18	Foam: 71/38 / ARG92 / 71/38 (5MM/5MM) - 7/8" IG											
	0.182	0.500	0.182					ARG92	0.027(#2) / 0.027(#3)	CL	OF-S	N,G
	U-Factor 0.25			SHGC (N / <1) 0.24 / 0.22				VT (N / <1) 0.39 / 0.35			CR 62	
19	Foam: 71/38 / ARG92 / IS-20 (2MM/2MM) - 7/8" IG											
	0.090	0.688	0.090					ARG92	0.027(#2) / 0.198(#4)	CL	OF-S	N,G
	U-Factor 0.23			SHGC (N / <1) 0.25 / 0.23				VT (N / <1) 0.45 / 0.41			CR 49	
20	Foam: 71/38 / ARG92 / IS-20 (2MM/2MM) - 1" IG											
	0.090	0.787	0.090					ARG92	0.027(#2) / 0.198(#4)	CL	OF-S	N,G
	U-Factor 0.23			SHGC (N / <1) 0.25 / 0.23				VT (N / <1) 0.45 / 0.41			CR 49	
	Foam: 71/38 / ARG92 / IS-20 (3MM/3MM) - 1" IG											
	0.117	0.750	0.117					ARG92	0.027(#2) / 0.198(#4)	CL	OF-S	N,G
	U-Factor 0.23			SHGC (N / <1) 0.25 / 0.23				VT (N / <1) 0.45 / 0.40			CR 49	

**NFRC 100/200/500 Summary Sheet
7100/7600 Trustgard Awning**

ID	Pane Thickness 1	Gap Width 1	Pane Thickness 2	Gap Width 2	Pane Thickness 3	Gap Width 3	Pane Thickness 4	Gap Fill	Low-e (Surface#)	Tint	Spacer	Grid Type
	U-Factor			Solar Heat Gain Coefficient (SHGC) Grids (None / <1 / >=1)				Visible Transmittance (VT) Grids (None / <1 / >=1)			Condensation Resistance	
21	Foam: 71/38 / ARG92 / CLR / ARG92 / 71/38 (3MM/2MM/3MM) - 1" IG											
	0.117	0.250	0.090	0.438	0.117			ARG92	0.027(#2) / 0.027(#5)	CL	OF-S	N
	U-Factor 0.19			SHGC (N) 0.22				VT (N) 0.36			CR 72	
22	Foam: 71/38 / ARG92 / CLR / ARG92 / 71/38 (3MM/2MM/3MM) - 1" IG											
	0.117	0.250	0.090	0.438	0.117			ARG92	0.027(#2) / 0.027(#5)	CL	OF-S	G
	U-Factor 0.19			SHGC (<1) 0.20				VT (<1) 0.33			CR 72	
23	No Foam: CLR / AIR / CLR (2MM/2MM) - 7/8" IG											
	0.090	0.688	0.090					AIR		CL	OF-S	N,G,S
	U-Factor 0.42			SHGC (N / <1) 0.53 / 0.48				VT (N / <1) 0.54 / 0.49			CR 45	
	No Foam: CLR / AIR / CLR (3MM/3MM) - 7/8" IG											
	0.117	0.625	0.117					AIR		CL	OF-S	N,G,S
	U-Factor 0.42			SHGC (N / <1) 0.52 / 0.47				VT (N / <1) 0.53 / 0.48			CR 45	
24	No Foam: 71/38 / AIR / CLR (2MM/2MM) - 7/8" IG											
	0.090	0.688	0.090					AIR	0.027(#2)	CL	OF-S	N,G,S
	U-Factor 0.31			SHGC (N / <1) 0.26 / 0.24				VT (N / <1) 0.46 / 0.42			CR 55	
	No Foam: 71/38 / AIR / CLR (3MM/3MM) - 7/8" IG											
	0.117	0.625	0.117					AIR	0.027(#2)	CL	OF-S	N,G,S
	U-Factor 0.31			SHGC (N / <1) 0.26 / 0.24				VT (N / <1) 0.46 / 0.42			CR 55	
25	No Foam: 71/38 / ARG92 / CLR (2MM/2MM) - 7/8" IG											
	0.090	0.688	0.090					ARG92	0.027(#2)	CL	OF-S	N,G,S
	U-Factor 0.27			SHGC (N / <1) 0.26 / 0.24				VT (N / <1) 0.46 / 0.42			CR 59	
	No Foam: 71/38 / ARG92 / CLR (3MM/3MM) - 7/8" IG											
	0.117	0.625	0.117					ARG92	0.027(#2)	CL	OF-S	N,G,S
	U-Factor 0.27			SHGC (N / <1) 0.26 / 0.23				VT (N / <1) 0.46 / 0.42			CR 59	
26	No Foam: CLR / AIR / 72/57 (2MM/2MM) - 7/8" IG											
	0.090	0.688	0.090					AIR	0.045(#3)	CL	OF-S	N,G,S
	U-Factor 0.31			SHGC (N / <1) 0.38 / 0.35				VT (N / <1) 0.47 / 0.42			CR 55	
	No Foam: CLR / AIR / 72/57 (3MM/3MM) - 7/8" IG											
	0.117	0.625	0.117					AIR	0.045(#3)	CL	OF-S	N,G,S
	U-Factor 0.31			SHGC (N / <1) 0.38 / 0.34				VT (N / <1) 0.46 / 0.42			CR 55	

**NFRC 100/200/500 Summary Sheet
7100/7600 Trustgard Awning**

ID	Pane Thickness 1	Gap Width 1	Pane Thickness 2	Gap Width 2	Pane Thickness 3	Gap Width 3	Pane Thickness 4	Gap Fill	Low-e (Surface#)	Tint	Spacer	Grid Type
	U-Factor			Solar Heat Gain Coefficient (SHGC) Grids (None / <1 / >=1)				Visible Transmittance (VT) Grids (None / <1 / >=1)			Condensation Resistance	
27	No Foam: CLR / ARG92 / 72/57 (2MM/2MM) - 7/8" IG											
	0.090	0.688	0.090					ARG92	0.045(#3)	CL	OF-S	N,G,S
	U-Factor 0.28			SHGC (N / <1) 0.39 / 0.35				VT (N / <1) 0.47 / 0.42			CR 59	
	No Foam: CLR / ARG92 / 72/57 (3MM/3MM) - 7/8" IG											
	0.117	0.625	0.117					ARG92	0.045(#3)	CL	OF-S	N,G,S
	U-Factor 0.28			SHGC (N / <1) 0.38 / 0.35				VT (N / <1) 0.46 / 0.42			CR 59	
28	No Foam: 7138/Argon/Clear/Argon/Clear (DS-SS-DS) 1"											
	0.117	0.250	0.090	0.438	0.117			ARG92	0.027(#2)	CL	OF-S	N
	U-Factor 0.26			SHGC (N) 0.24				VT (N) 0.42			CR 65	
29	No Foam: 7138/Argon/Clear/Argon/Clear (DS-SS-DS) 1"											
	0.117	0.250	0.090	0.438	0.117			ARG92	0.027(#2)	CL	OF-S	G,S
	U-Factor 0.27			SHGC (<1) 0.22				VT (<1) 0.38			CR 65	
30	No Foam: Clear/Argon/Clear/Argon/7257 (DS-SS-DS) 1"											
	0.117	0.250	0.090	0.438	0.117			ARG92	0.045(#5)	CL	OF-S	N
	U-Factor 0.23			SHGC (N) 0.35				VT (N) 0.42			CR 66	
31	No Foam: Clear/Argon/Clear/Argon/7257 (DS-SS-DS) 1"											
	0.117	0.250	0.090	0.438	0.117			ARG92	0.045(#5)	CL	OF-S	G,S
	U-Factor 0.23			SHGC (<1) 0.32				VT (<1) 0.38			CR 66	
32	Foam(Sash Only): 71/38 / ARG92 / CLR (2MM/2MM) - 7/8" IG											
	0.090	0.688	0.090					ARG92	0.027(#2)	CL	OF-S	N,G,S
	U-Factor 0.26			SHGC (N / <1) 0.26 / 0.24				VT (N / <1) 0.46 / 0.42			CR 59	
	Foam(Sash Only): 71/38 / ARG92 / CLR (3MM/3MM) - 7/8" IG											
	0.117	0.625	0.117					ARG92	0.027(#2)	CL	OF-S	N,G,S
	U-Factor 0.26			SHGC (N / <1) 0.26 / 0.23				VT (N / <1) 0.46 / 0.42			CR 59	
33	Foam(Sash Only): CLR / ARG92 / 72/57 (2MM/2MM) - 7/8" IG											
	0.090	0.688	0.090					ARG92	0.045(#3)	CL	OF-S	N,G,S
	U-Factor 0.27			SHGC (N / <1) 0.39 / 0.35				VT (N / <1) 0.47 / 0.42			CR 60	
	Foam(Sash Only): CLR / ARG92 / 72/57 (3MM/3MM) - 7/8" IG											
	0.117	0.625	0.117					ARG92	0.045(#3)	CL	OF-S	N,G,S
	U-Factor 0.27			SHGC (N / <1) 0.38 / 0.35				VT (N / <1) 0.46 / 0.42			CR 60	

**NFRC 100/200/500 Summary Sheet
7100/7600 Trustgard Awning**

ID	Pane Thickness 1	Gap Width 1	Pane Thickness 2	Gap Width 2	Pane Thickness 3	Gap Width 3	Pane Thickness 4	Gap Fill	Low-e (Surface#)	Tint	Spacer	Grid Type
	U-Factor			Solar Heat Gain Coefficient (SHGC) Grids (None / <1 / >=1)				Visible Transmittance (VT) Grids (None / <1 / >=1)			Condensation Resistance	
34	Foam(Sash Only): 7138/Argon/Clear/Argon/Clear (DS-SS-DS) 1"											
	0.117	0.250	0.090	0.438	0.117			ARG92	0.027(#2)	CL	OF-S	N
	U-Factor 0.25			SHGC (N) 0.24				VT (N) 0.42			CR 65	
35	Foam(Sash Only): 7138/Argon/Clear/Argon/Clear (DS-SS-DS) 1"											
	0.117	0.250	0.090	0.438	0.117			ARG92	0.027(#2)	CL	OF-S	G,S
	U-Factor 0.26			SHGC (<1) 0.22				VT (<1) 0.38			CR 66	
36	Foam(Sash Only): Clear/Argon/Clear/Argon/7257 (DS-SS-DS) 1"											
	0.117	0.250	0.090	0.438	0.117			ARG92	0.045(#5)	CL	OF-S	N
	U-Factor 0.22			SHGC (N) 0.35				VT (N) 0.42			CR 67	
37	Foam(Sash Only): Clear/Argon/Clear/Argon/7257 (DS-SS-DS) 1"											
	0.117	0.250	0.090	0.438	0.117			ARG92	0.045(#5)	CL	OF-S	G,S
	U-Factor 0.22			SHGC (<1) 0.32				VT (<1) 0.38			CR 67	
38	Foam(Frame & Sash): 71/38 / ARG92 / CLR (2MM/2MM) - 7/8" IG											
	0.090	0.688	0.090					ARG92	0.027(#2)	CL	OF-S	N,G,S
	U-Factor 0.26			SHGC (N / <1) 0.26 / 0.24				VT (N / <1) 0.46 / 0.42			CR 59	
	Foam(Frame & Sash): 71/38 / ARG92 / CLR (3MM/3MM) - 7/8" IG											
	0.117	0.625	0.117					ARG92	0.027(#2)	CL	OF-S	N,G,S
	U-Factor 0.26			SHGC (N / <1) 0.26 / 0.23				VT (N / <1) 0.46 / 0.42			CR 59	
39	Foam(Frame & Sash): CLR / ARG92 / 72/57 (2MM/2MM) - 7/8" IG											
	0.090	0.688	0.090					ARG92	0.045(#3)	CL	OF-S	N,G,S
	U-Factor 0.26			SHGC (N / <1) 0.39 / 0.35				VT (N / <1) 0.47 / 0.42			CR 60	
	Foam(Frame & Sash): CLR / ARG92 / 72/57 (3MM/3MM) - 7/8" IG											
	0.117	0.625	0.117					ARG92	0.045(#3)	CL	OF-S	N,G,S
	U-Factor 0.26			SHGC (N / <1) 0.38 / 0.35				VT (N / <1) 0.46 / 0.42			CR 60	
40	Foam(Frame & Sash): 7138/Argon/Clear/Argon/Clear (DS-SS-DS) 1"											
	0.117	0.250	0.090	0.438	0.117			ARG92	0.027(#2)	CL	OF-S	N
	U-Factor 0.24			SHGC (N) 0.24				VT (N) 0.42			CR 65	
41	Foam(Frame & Sash): 7138/Argon/Clear/Argon/Clear (DS-SS-DS) 1"											
	0.117	0.250	0.090	0.438	0.117			ARG92	0.027(#2)	CL	OF-S	G,S
	U-Factor 0.25			SHGC (<1) 0.22				VT (<1) 0.38			CR 66	

**NFRC 100/200/500 Summary Sheet
 7100/7600 Trustgard Awning**

ID	Pane Thickness 1	Gap Width 1	Pane Thickness 2	Gap Width 2	Pane Thickness 3	Gap Width 3	Pane Thickness 4	Gap Fill	Low-e (Surface#)	Tint	Spacer	Grid Type
	U-Factor			Solar Heat Gain Coefficient (SHGC) Grids (None / <1 / >=1)				Visible Transmittance (VT) Grids (None / <1 / >=1)			Condensation Resistance	
42	Foam(Frame & Sash): Clear/Argon/Clear/Argon/7257 (DS-SS-DS) 1"											
	0.117	0.250	0.090	0.438	0.117			ARG92	0.045(#5)	CL	OF-S	N
	U-Factor 0.22			SHGC (N) 0.35				VT (N) 0.42			CR 67	
43	Foam(Frame & Sash): Clear/Argon/Clear/Argon/7257 (DS-SS-DS) 1"											
	0.117	0.250	0.090	0.438	0.117			ARG92	0.045(#5)	CL	OF-S	G,S
	U-Factor 0.22			SHGC (<1) 0.32				VT (<1) 0.38			CR 67	

The Condensation Resistance results obtained from this procedure are for controlled laboratory conditions and do not include the effects of air movement through the specimen, solar radiation, and the thermal bridging that may occur due to the specific design and construction of the fenestration system opening.

Ratings values included in this report are for submittals to an NFRC-licensed IA and are not meant to be used directly for labeling purposes. Only those values identified on a valid Certification Authorization Report (CAR) by an NFRC accredited Inspection Agency (IA) are to be used for labeling purposes. The ratings values were rounded in accordance to NFRC 601, NFRC Unit and Measurement Policy.

Intertek-ATI is an NFRC accredited simulation laboratory and all simulations were conducted in full compliance with NFRC approved procedures and specifications. The values included in this report are not considered in compliance with ANSI/NFRC 100, ANSI/NFRC 200, and/or NFRC 500 unless the associated validation test requirements have been satisfied, as applicable.

This report is reissued in the name of Specialty Wholesale Supply through written authorization of Chelsea Building Products, to whom the original report was rendered. The original Chelsea Building Products report number is E4348.01-116-45.

Intertek-ATI will service this report for the entire test record retention period. Test records that are retained such as detailed drawings, datasheets, representative samples of test specimens, or other pertinent project documentation will be retained by Intertek-ATI for the entire test record retention period. The test record retention end date for this report is April 3, 2019.

Results obtained are simulated values and were secured by using the designated test methods. This report does not constitute certification of this product nor an opinion or endorsement by this laboratory. It is the exclusive property of the client so named herein and relates only to the product simulated. This report may not be reproduced, except in full, without the written approval of Intertek-ATI

For INTERTEK-ATI:

SIMULATED BY:

REVIEWED BY:

Dale C. White
Simulation Technician
NFRC Certified Simulator

Kristen L. Louder
Senior Simulation Technician
Simulator-In-Responsible-Charge

DCW:dcw
E4348.24-116-45

Attachments (pages): This report is complete only when all attachments listed are included.
Appendix A: Drawings and Bills of Material(12)

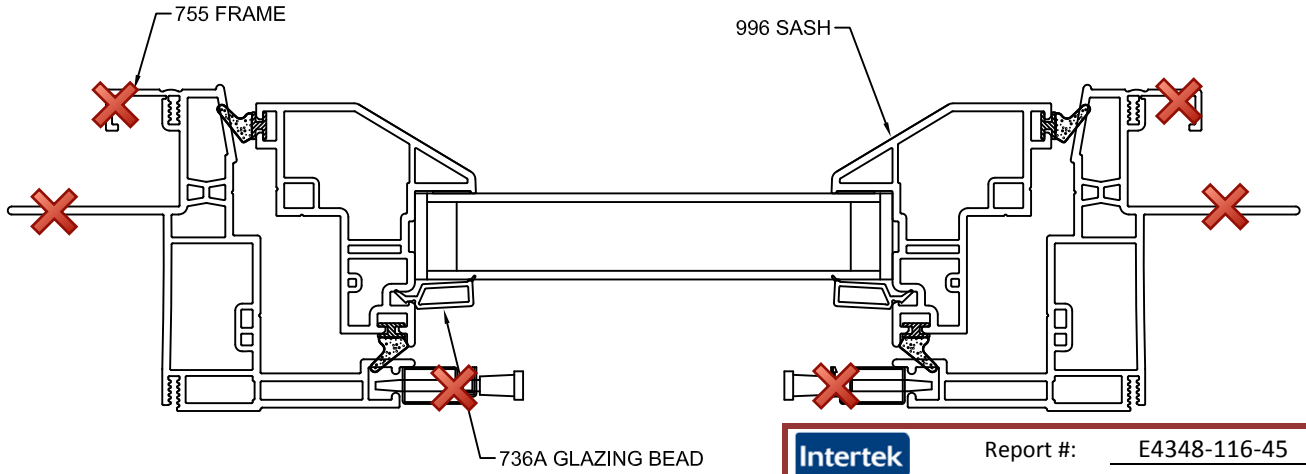
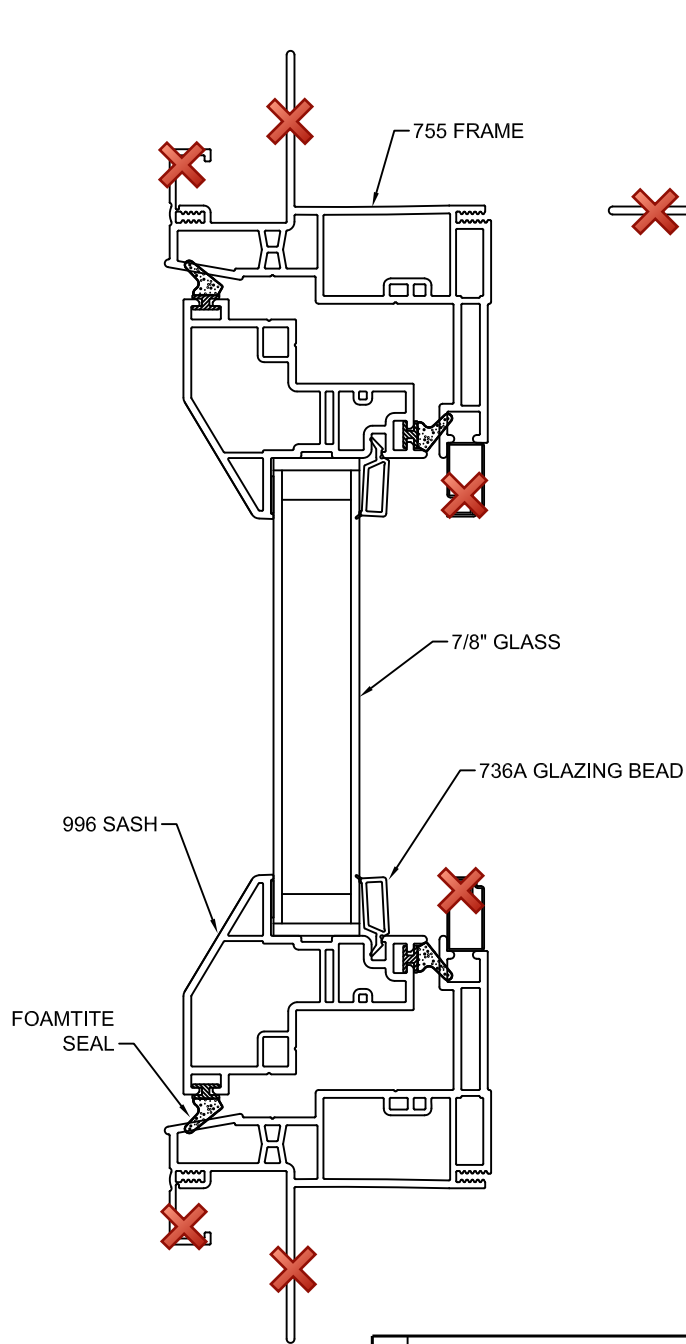
Revision Log

<u>Rev. #</u>	<u>Date</u>	<u>Page(s)</u>	<u>Revision(s)</u>
.01R0	4/3/2015	All	Original Report Issued to Chelsea Building Products.
.09R0	7/1/2015	All	Report Reissued to Specialty Wholesale Supply.
.24R0	1/19/2017	All	Revise report to add options 23-43

All drawings and Bills of Material used to simulate this product are enclosed in this Appendix
Some drawings may be omitted at the extruder's request.

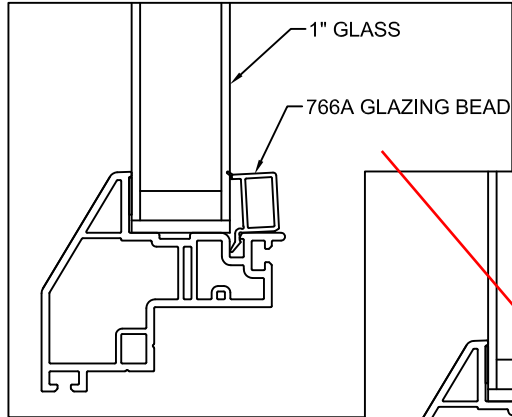
Appendix A

E4348.24-116-45

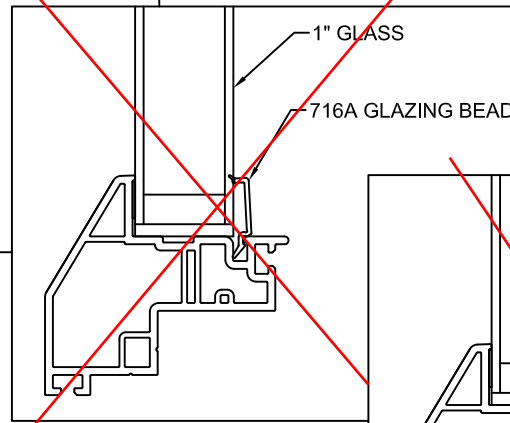


	Report #:	E4348-116-45
	Date:	07/01/15
	Verified by:	<i>Oliver M. Hoodyan</i>

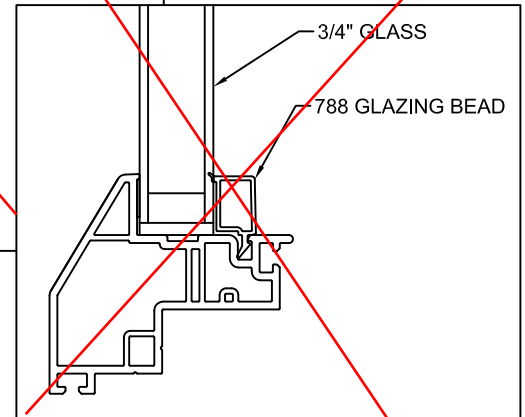
1" GLASS OPTION 1



1" GLASS OPTION 2



3/4" GLASS OPTION



No.	REVISION	BY	DATE
5	716A WAS 716; 736A WAS 736; 766A WAS 766; WO #826	EAS	05-20-08
4	996 WAS 736A; WO #7178	EAS	11-08-07
3	REVISED SEAL	EAS	08-30-07
2	REVISED SASH & BEAD; ADDED GLASS OPTIONS	EAS	10-04-06
1	REVISED AMESBURY SEAL; W0#3243	JPP	07-10-03

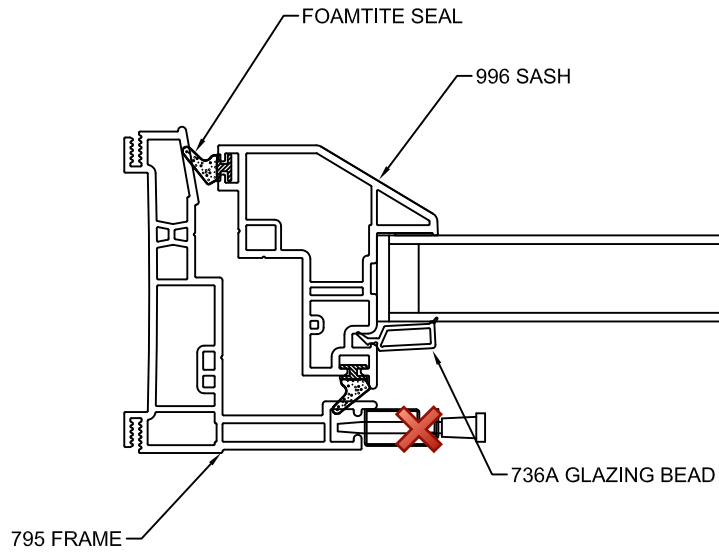
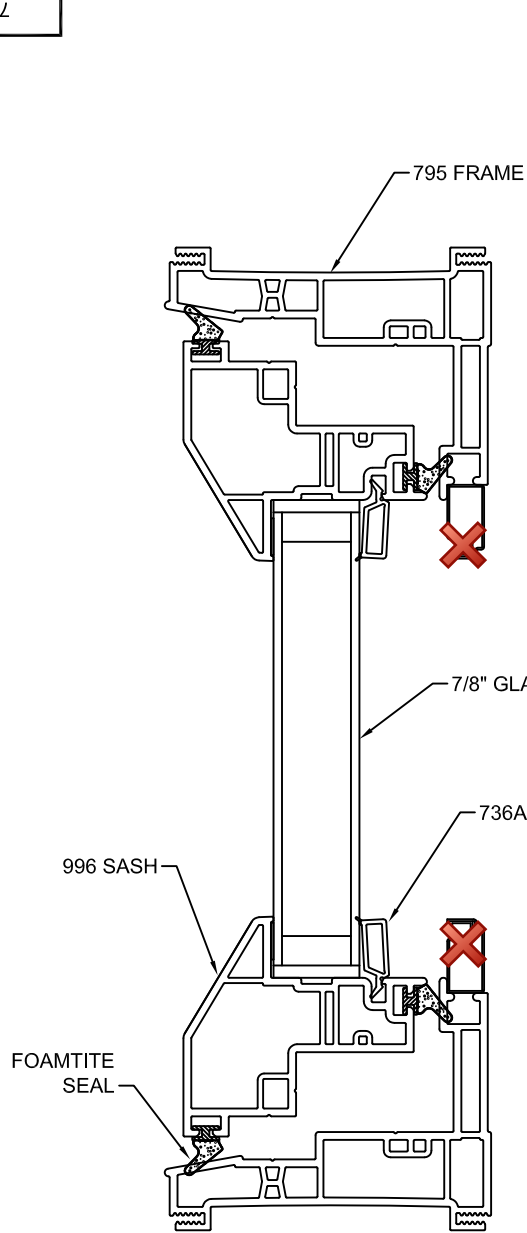


CHELSEA BUILDING PRODUCTS, INC.

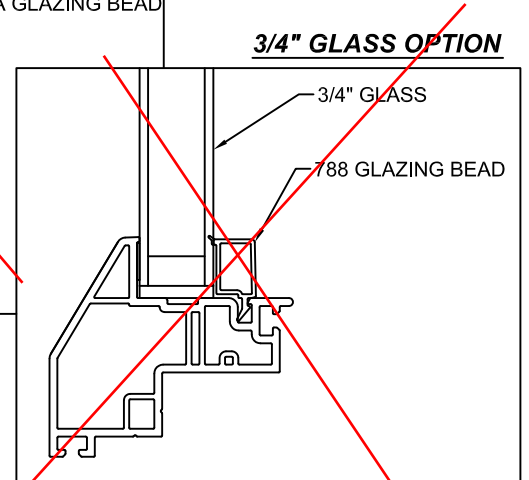
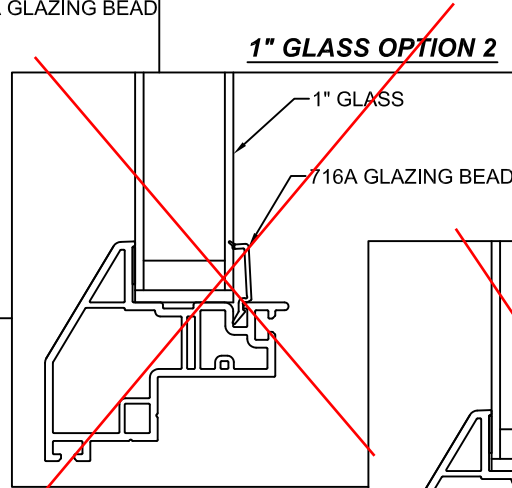
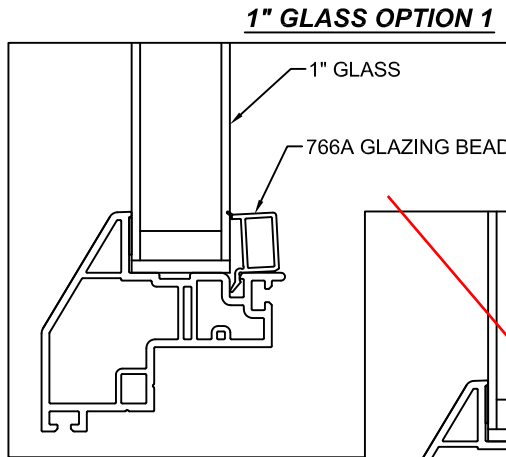
565 CEDAR WAY, OAKMONT PA 15139

COPYRIGHT 2011
THIS DRAWING AND ITS CONTENTS ARE THE SOLE PROPERTY OF CHELSEA BUILDING PRODUCTS, INC. ANY UNAUTHORIZED USE OR REPRODUCTION IS STRICTLY PROHIBITED.

PRELIMINARY PART #			
TITLE TRUST SERIES NEW CONSTRUCTION CASEMENT FOR 1" GLASS			
DRAWN BY:	DESIGNED BY:	DATE	SCALE
EAS		12-09-02	NTS-1
CHECKED BY:	APPROVED BY:	DRAWING No.	
		730s007	



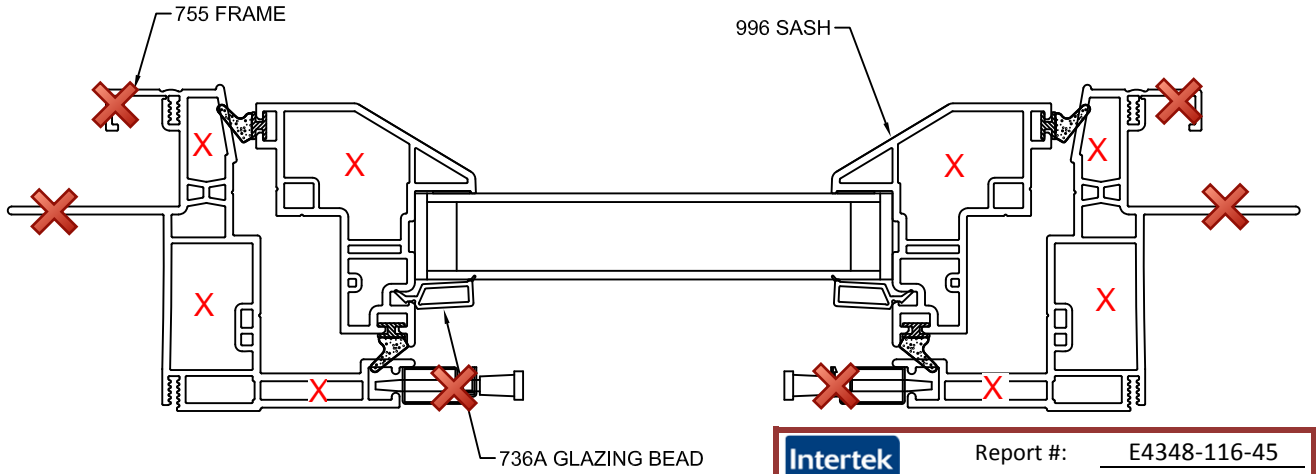
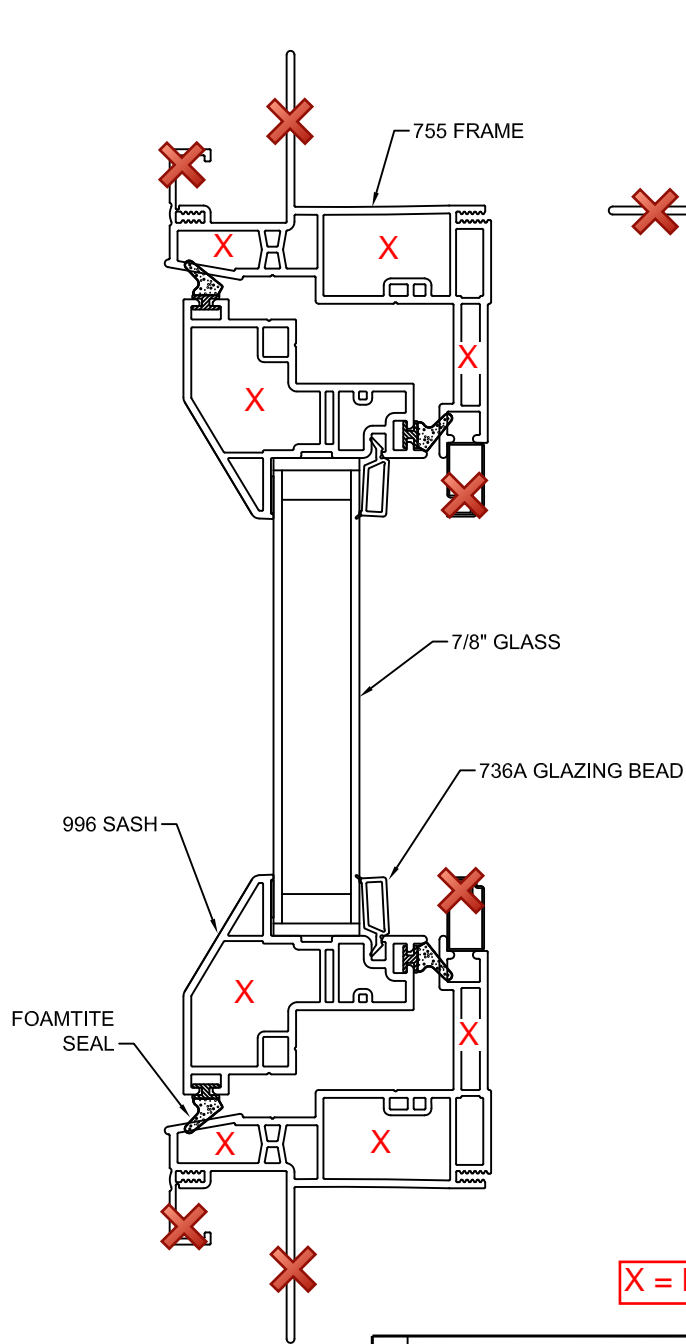
	Report #:	E4348-116-45
	Date:	07/01/15
	Verified by:	<i>Oliver M. Hooper</i>



No.	REVISION	BY	DATE
4	716A WAS 716; 736A WAS 736; 766A WAS 766; WD #826	EAS	05-20-08
3	REVISED SEAL; 996 WAS 796A; WD #7178	EAS	11-06-07
2	REVISED SASH & BEAD; ADDED GLASS OPTIONS	EAS	10-04-06
1	REVISED AMESBURY SEAL; W063243	JPP	07-10-03

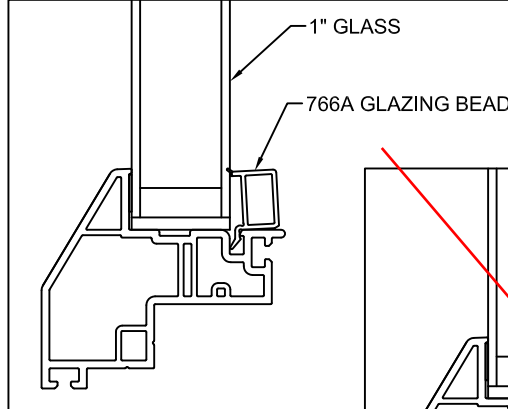
CHELSEA BUILDING PRODUCTS, INC.
 565 CEDAR WAY, OAKMONT PA 15139
 COPYRIGHT 2011
 THIS DRAWING AND ITS CONTENTS ARE THE SOLE PROPERTY OF CHELSEA BUILDING PRODUCTS, INC. ANY UNAUTHORIZED USE OR REPRODUCTION IS STRICTLY PROHIBITED.

PRELIMINARY PART #			
TITLE TRUST SERIES REPLACEMENT CASEMENT FOR 1" GLASS			
DRAWN BY:	DESIGNED BY:	DATE	SCALE
EAS		09-26-02	NTS-1
CHECKED BY:	APPROVED BY:	DRAWING No. 700s007	

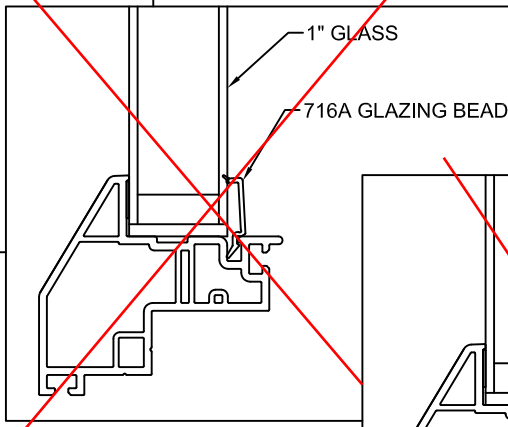



Report #: E4348-116-45
Date: 07/01/15
Verified by: *Oliver M. Hoodman*

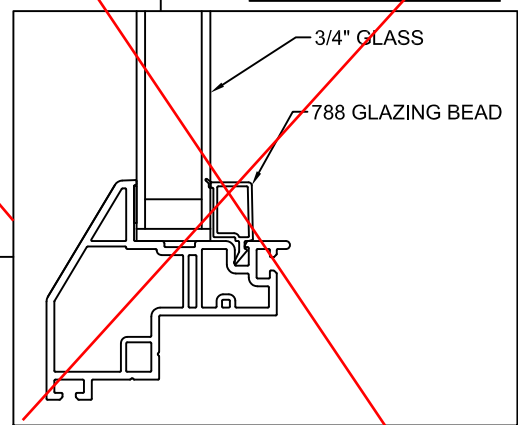

1" GLASS OPTION 1



1" GLASS OPTION 2



3/4" GLASS OPTION



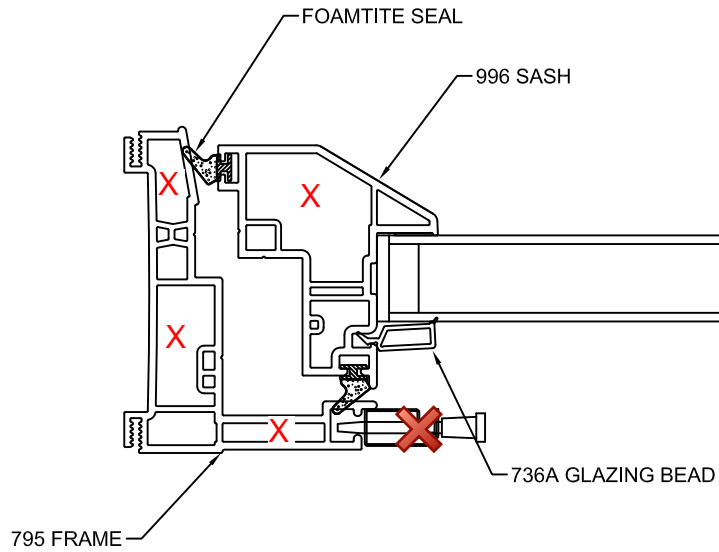
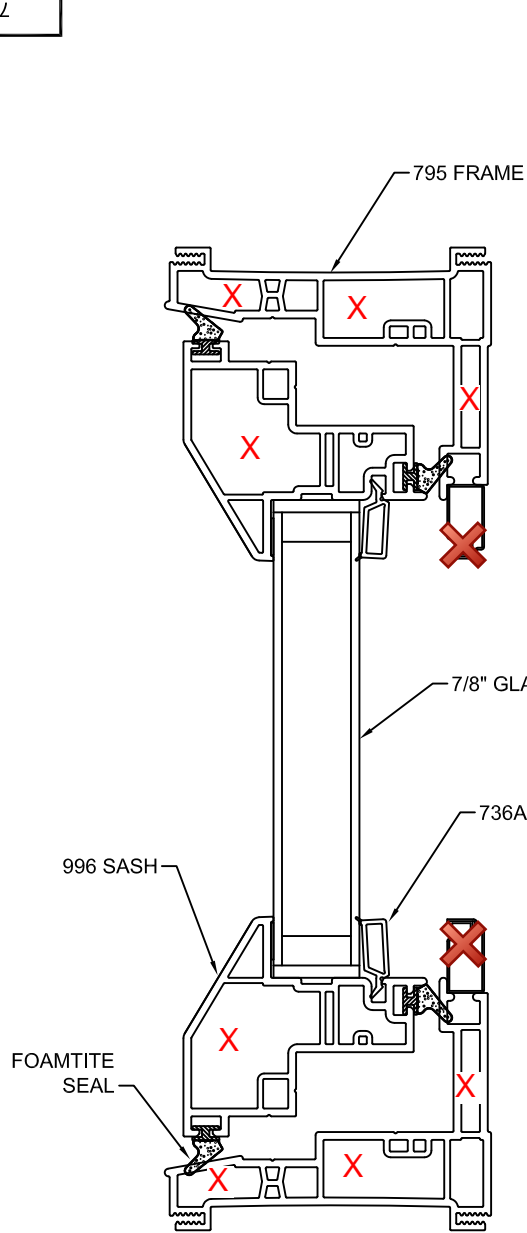
X = BASF Neopor 2000 EPS Foam w/ Graphite

No.	REVISION	BY	DATE
5	716A WAS 716; 736A WAS 736; 766A WAS 766; WO #826	EAS	05-20-08
4	996 WAS 736A; WO #7178	EAS	11-08-07
3	REVISED SEAL	EAS	08-30-07
2	REVISED SASH & BEAD; ADDED GLASS OPTIONS	EAS	10-04-06
1	REVISED AMESBURY SEAL; W03243	JPP	07-10-03

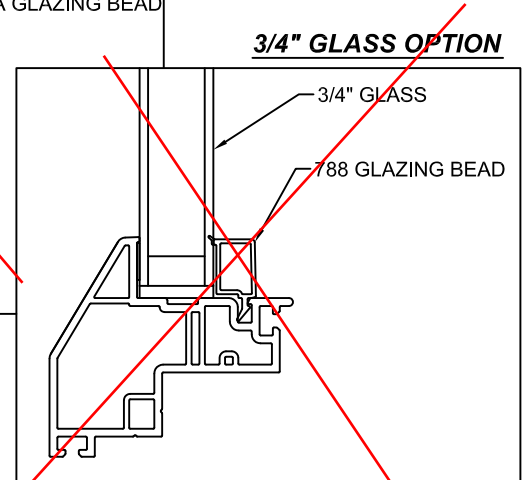
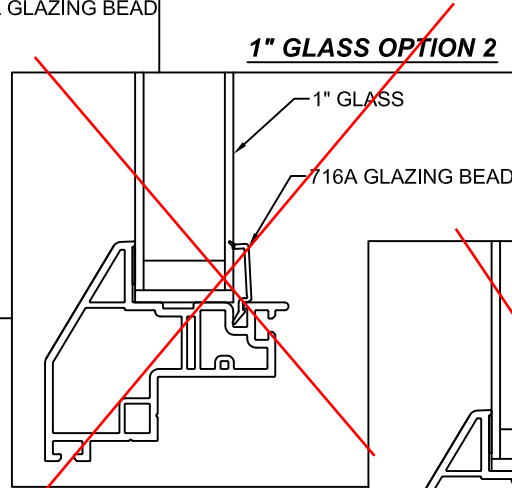
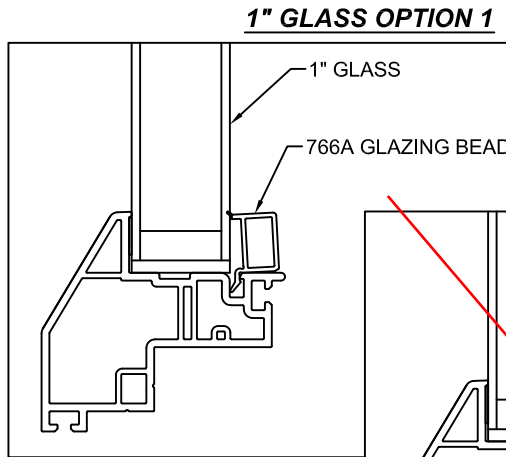

CHELSEA BUILDING PRODUCTS, INC.
 565 CEDAR WAY, OAKMONT PA 15139

COPYRIGHT 2011
 THIS DRAWING AND ITS CONTENTS ARE THE SOLE PROPERTY OF CHELSEA BUILDING PRODUCTS, INC. ANY UNAUTHORIZED USE OR REPRODUCTION IS STRICTLY PROHIBITED.

PRELIMINARY PART #			
TITLE TRUST SERIES NEW CONSTRUCTION CASEMENT FOR 1" GLASS			
DRAWN BY: EAS	DESIGNED BY:	DATE 12-09-02	SCALE NTS-1
CHECKED BY:	APPROVED BY:	DRAWING No. 730s007	



	Report #:	E4348-116-45
	Date:	07/01/15
	Verified by:	<i>Oliver M. Hooper</i>



X = BASF Neopor 2000 EPS Foam w/ Graphite

No.	REVISION	BY	DATE
4	716A WAS 716; 736A WAS 736; 766A WAS 766; WO #826	EAS	05-20-08
3	REVISED SEAL; 996 WAS 796A; WO #7178	EAS	11-06-07
2	REVISED SASH & BEAD; ADDED GLASS OPTIONS	EAS	10-04-06
1	REVISED AMESBURY SEAL; WO#3243	JPP	07-10-03

CHELSEA BUILDING PRODUCTS, INC.
 565 CEDAR WAY, OAKMONT PA 15139
 COPYRIGHT 2011
 THIS DRAWING AND ITS CONTENTS ARE THE SOLE PROPERTY OF CHELSEA BUILDING PRODUCTS, INC. ANY UNAUTHORIZED USE OR REPRODUCTION IS STRICTLY PROHIBITED.

PRELIMINARY PART #			
TITLE TRUST SERIES REPLACEMENT CASEMENT FOR 1" GLASS			
DRAWN BY:	DESIGNED BY:	DATE	SCALE
EAS		09-26-02	NTS-1
CHECKED BY:	APPROVED BY:	DRAWING No. 700s007	