



Roto Casement Window Locking System

Roto's X-Drive Casement and Awning system is engineered to offer aesthetic styling, quality performance, and optimal functionality. Manufactured in the USA in our Chester, CT plant with precise dimensional attributes, the many features of this system will provide you and your customers with significant benefits.

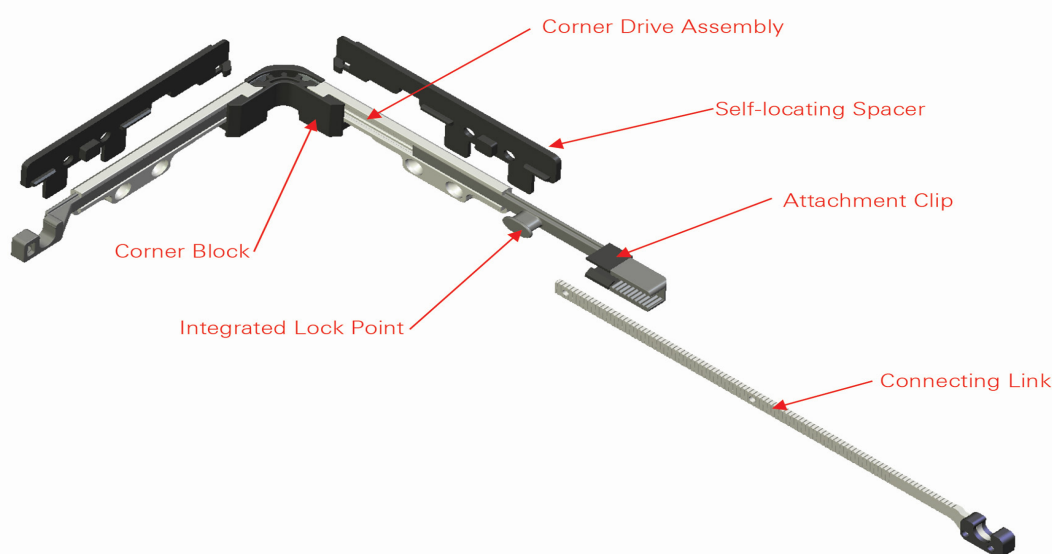
Roto LB08 Lock Bar

- Corrosion resistant powder coated finish or 300 series stainless steel lockbars can be used in most applications. Offered in a variety of lock-point configurations
- Adjustable lock pins offer ability to control compression levels after installation
- Patented adjustable (2.2 mm) mushroom head lock pins prevent lock from disengaging from nylon strikers
- Stamped out of rolled wire for superior strength



Roto Casement Corner Drive

- Innovative product that offers enhanced security and superior performance through an integrated lock point positioned 3" from the corner and secured to the window frame
- Ensures consistent locking at the top corner of the window, regardless of the window height. This is typically the weakest area in structural and air infiltration tests
- Offers enhanced security and performance
- Connects directly to Roto's LB06/LB08 lock bar assembly
- Allows for larger windows with additional lock points





Roto OP08 Operator

- Patented 5-axis laser technology in Chester, CT plant assures precise and consistent quality and performance
- Two directional fixing standard on all operators
 - Secures the operator in two planes for a solid connection
 - Pulls in the operator for an optimum seal
 - Helps reduce water and air infiltration
- 300 Series stainless steel and cold rolled steel options available for all operator types: dual arm, narrow dual arm, split arm, single arm, and awning



Roto HG06 Hinge

- Standard, two bar hinge supporting sash weight up to 125 lbs
- Available in powder coated steel or 300 series stainless steel
- Premium, heavy duty hinge to accommodate heaviest sash up to 150lbs



Roto Sash Lifter

- High quality roller device system helps prevent sash sag
- Allows for ease of operation

