

Cable Support Kit

Installation Instructions

Straight Line Clamp

1. Before positioning window into rough opening, install T-Nuts into window headboard. **B**
2. For installations with ample overhead clearance, install the cables down the mullions with Fender Washers and Heavy Hex Nuts. Thread nuts onto studs 1/2 inch. **A C**
3. For installations with Limited Clearance, see the "Blue" instructions.
4. Place the window into rough opening, using blocks and jacks at the bottom to hold and level window.

Before placing window in rough opening, determine where the exact locations of each T-Nut will be after window is installed. Mark a line on headboard where exterior wall will meet the window when installed. Measure the distance from this line to the center of each T-Nut. **H**

Temporarily install cables down the mullions with Fender Washers and Heavy Hex Nuts. Thread nuts onto studs 1/2 inch. **G**

Holding up on cables, mark or tape the cables at top edge of each T-Nut, then carefully remove cables. **G**

5. Select the mounting locations for the Straight Line Clamps. **A E I**
6. Holding clamps in place, drive the mounting screws halfway in, making sure the screws are straight. This will allow free operation of the clamps during cable installation. (#3 insert bit provided.) **E**
7. With window level, pull the cables up and through the Straight Line Clamps. **A F**

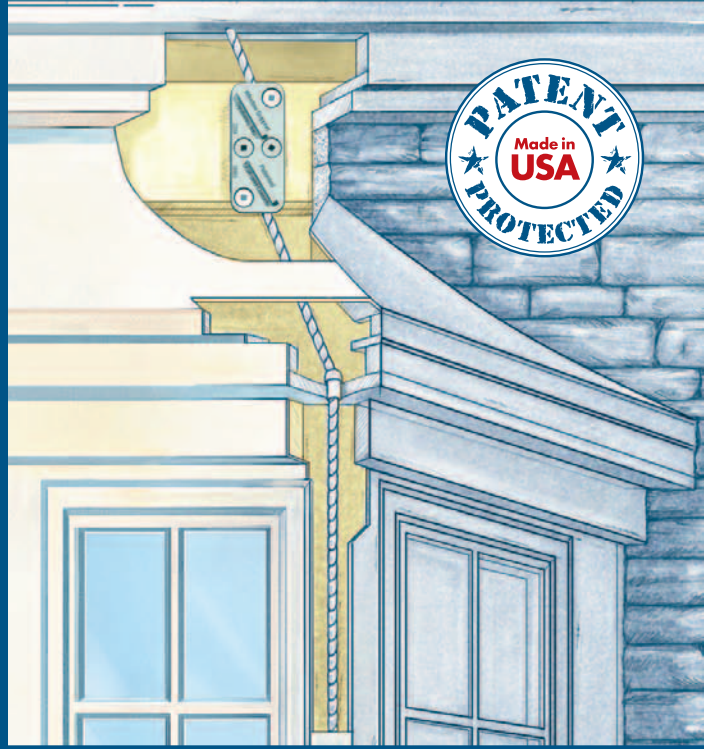
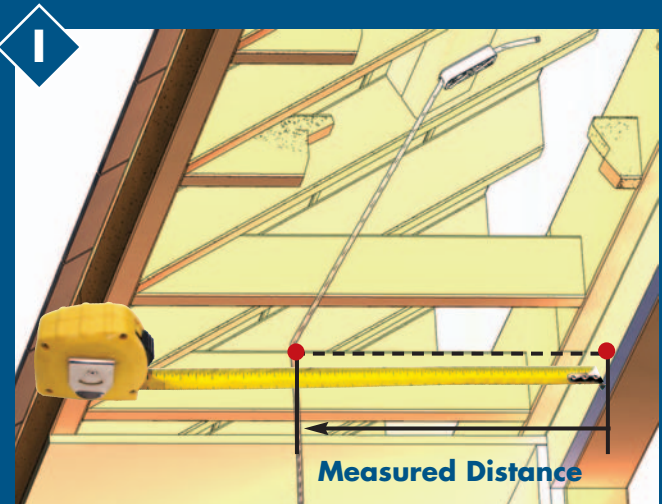
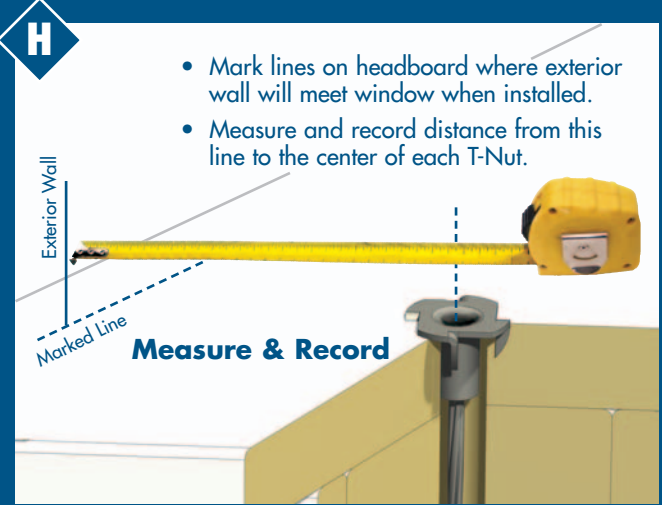
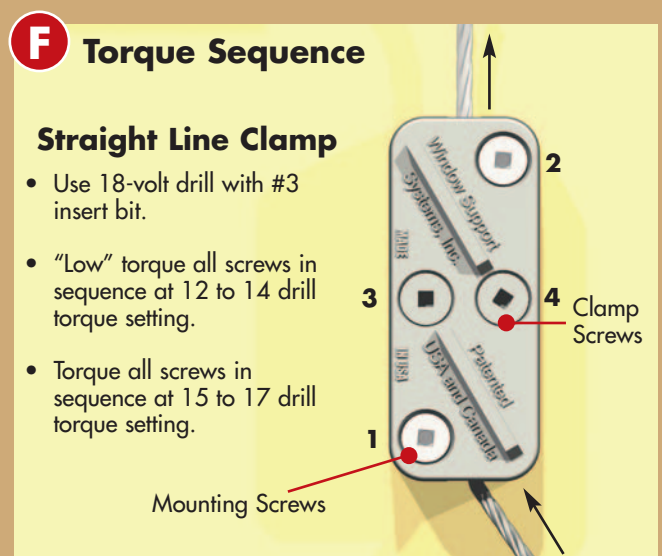
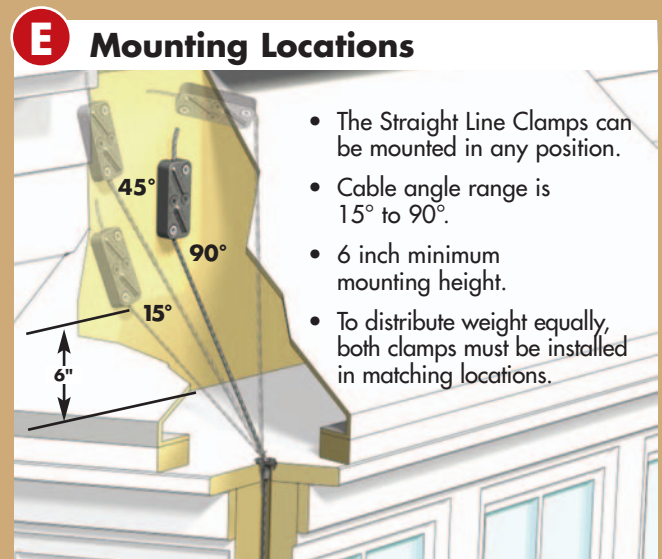
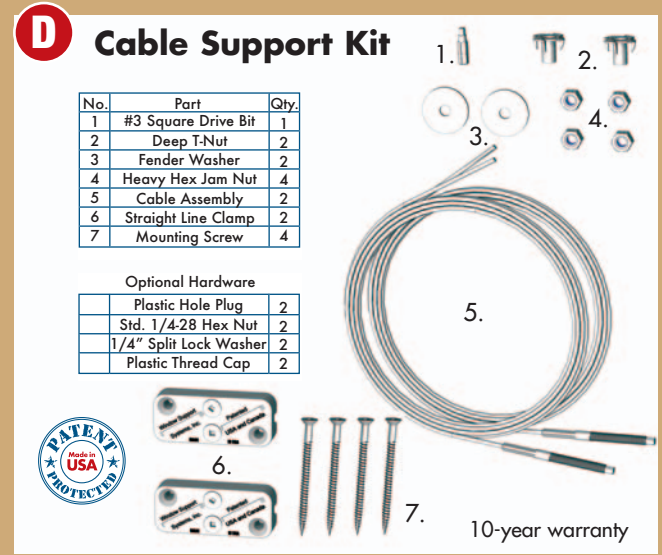
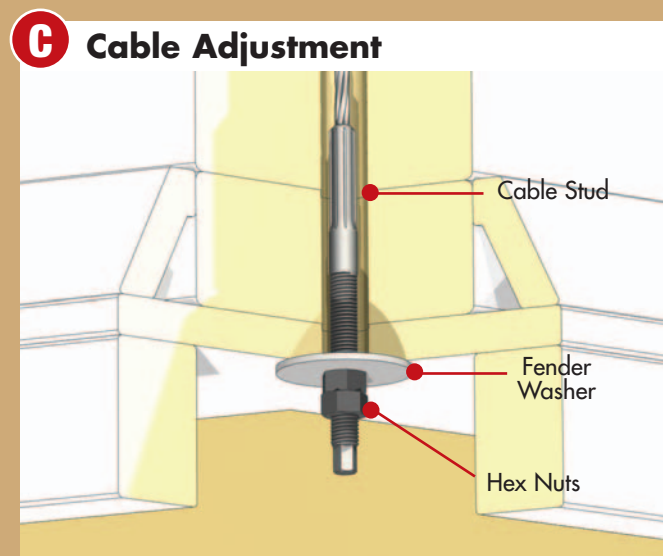
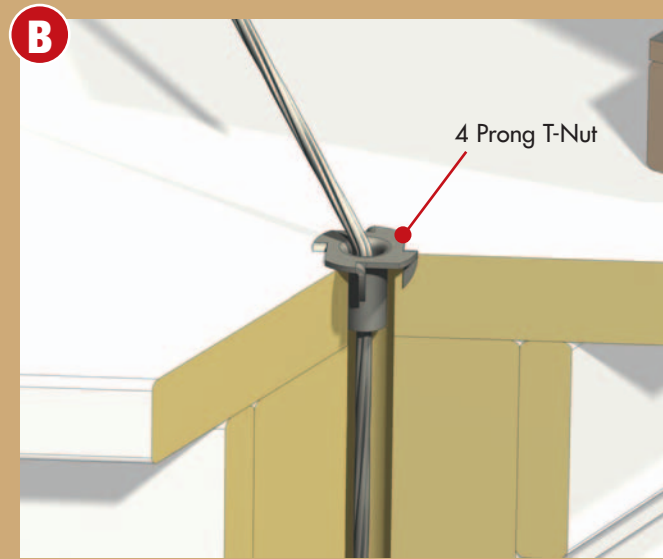
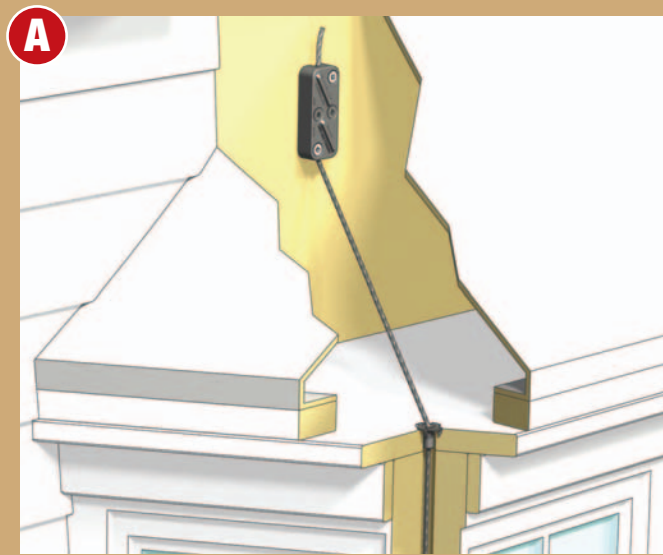
Holding a tape measure out and level from the top edges of rough opening, adjust cables through the clamps, so the marks on the cables meet the measured locations. **I**

With cables set to the correct distance, secure the Straight Line Clamps. **F**

8. Setting 18-volt drill to medium torque (12 to 14) while holding the cables tight through the clamps, evenly torque the four screws on each clamp. Then, set the drill to a higher torque (15 to 17) and, torque all screws in sequence. **F**

9. After cables are secure, adjust cable tension by turning nuts at bottom of window. **G**

Note: Double check for level and square before securing window to rough opening.



Simply**theBEST**

CABLE SUPPORT KIT
INSTALLATION
instructions
— STRAIGHT LINE

